

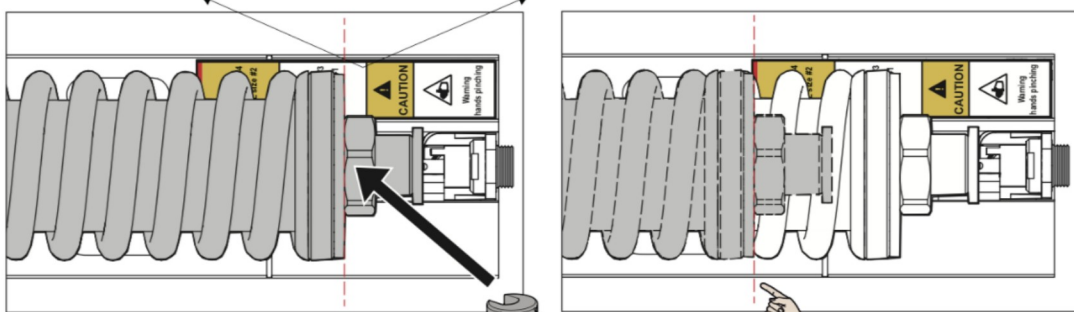
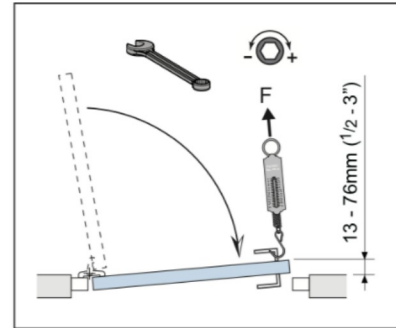
# 12 Start-up

**Note:** An external door stop is to be installed to prevent the door from over travel.

## 12.1 Spring pre-tension

The spring pre-tension is factory set to either size #2 PUSH / PULL or size #4 PUSH. Adjust the spring according to the following information.

Door closer power size according to ANSI 156.4	Closing force between 13mm (1/2") and 76mm (3")		Door weight
	F (lbf)	F (N)	
Size #1 PUSH / PULL	2 - 3	9 - 13	50 lbs / 23 kg
Size #2 PUSH / PULL	3 - 5	13 - 22	80 lbs / 36 kg
Size #3 PUSH	5 - 8	22 - 36	100 lbs / 45 kg
Size #4 PUSH	8 - 11	36 - 49	125 lbs / 57 kg



18 mm

Spring shall not be over pre-tensioned. Make sure that the spring does not exceed the red line on the sticker.

## 12.2 App

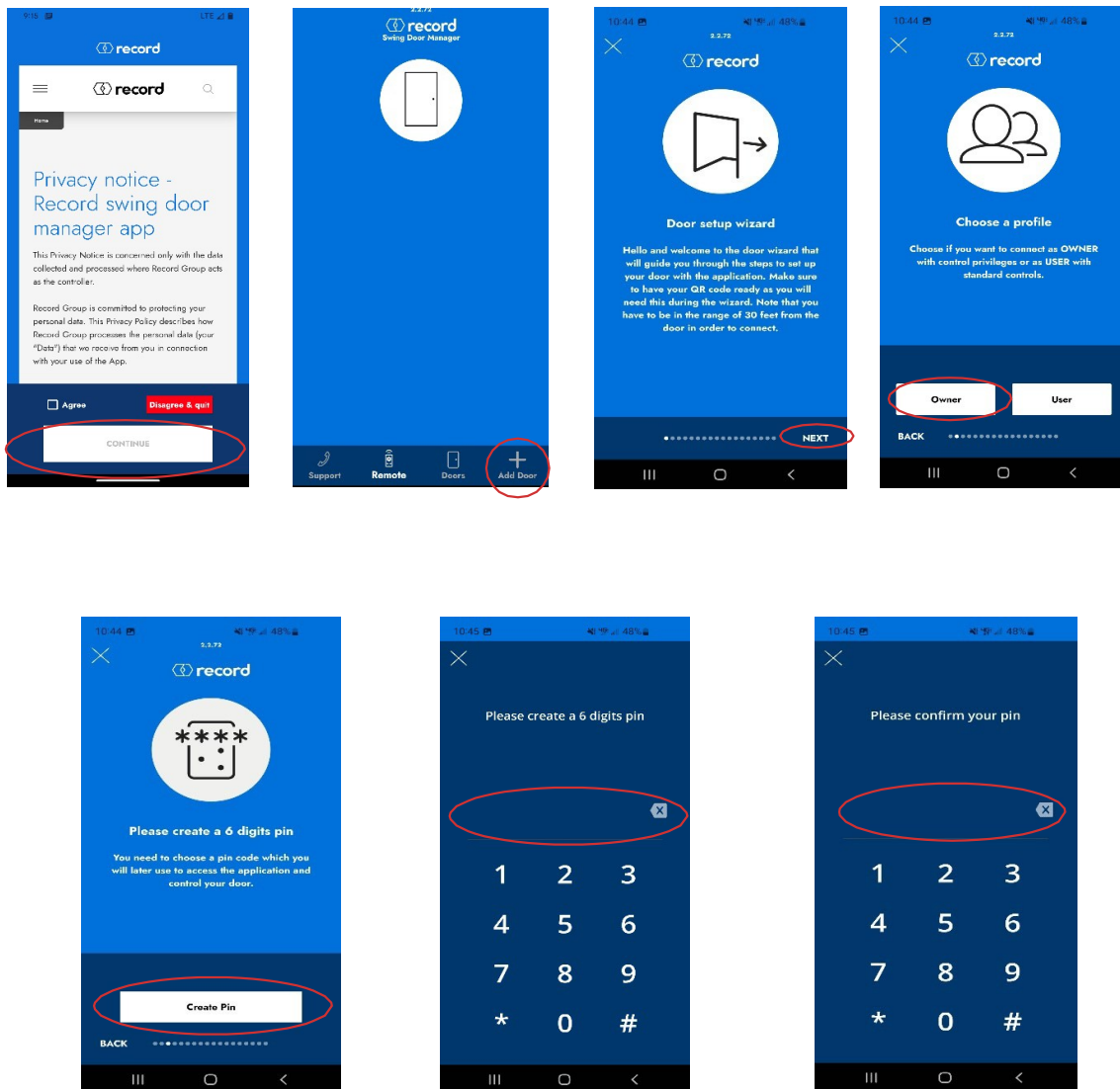
Connect mains power (the operator will find its closed position) and make sure the LED is on. Before the learning procedure starts, make sure that the door has been properly closed i.e., not by force.

### 12.2.1 Install the app

Download the app **ENTREMATIC Swing Door Manager** at App Store or Google Play.

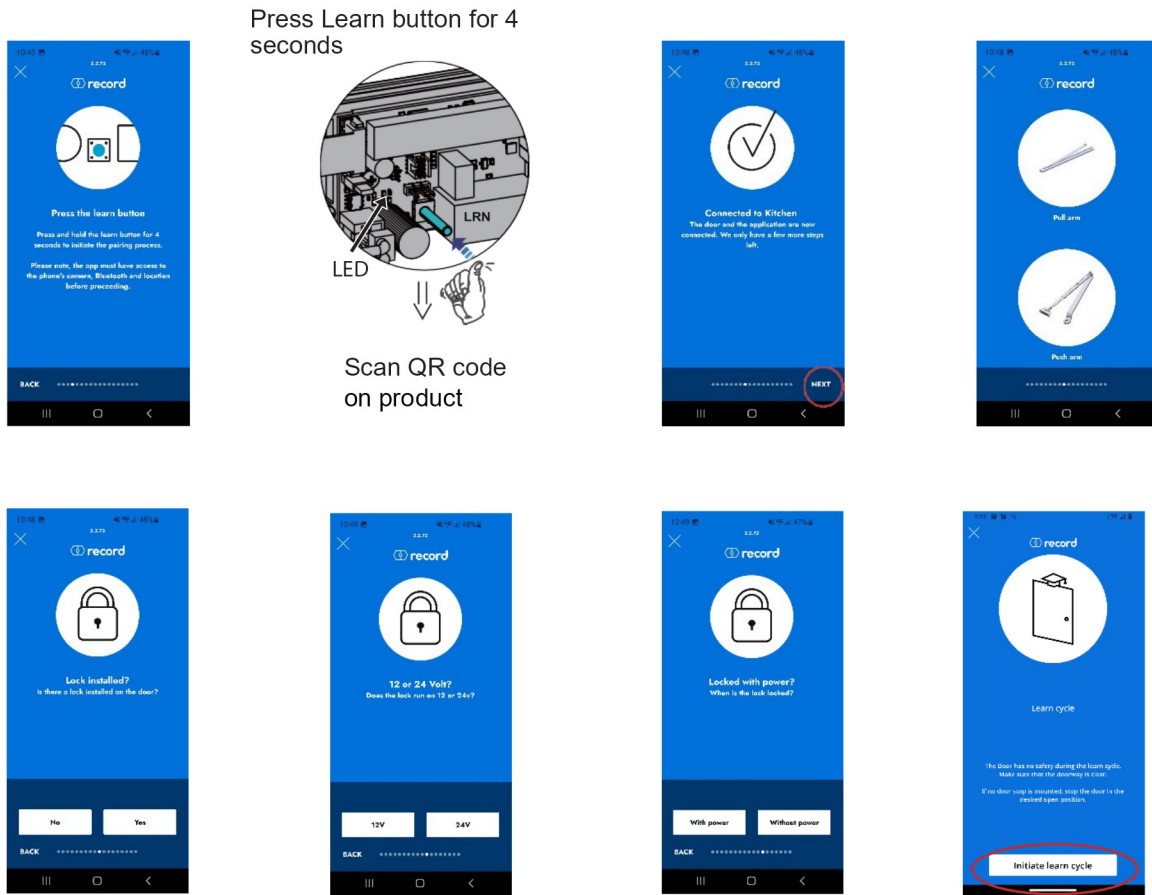


### 12.2.2 Log into the app with owner



### 12.2.3 Learn

Connect mains power (the operator will find its closed position).

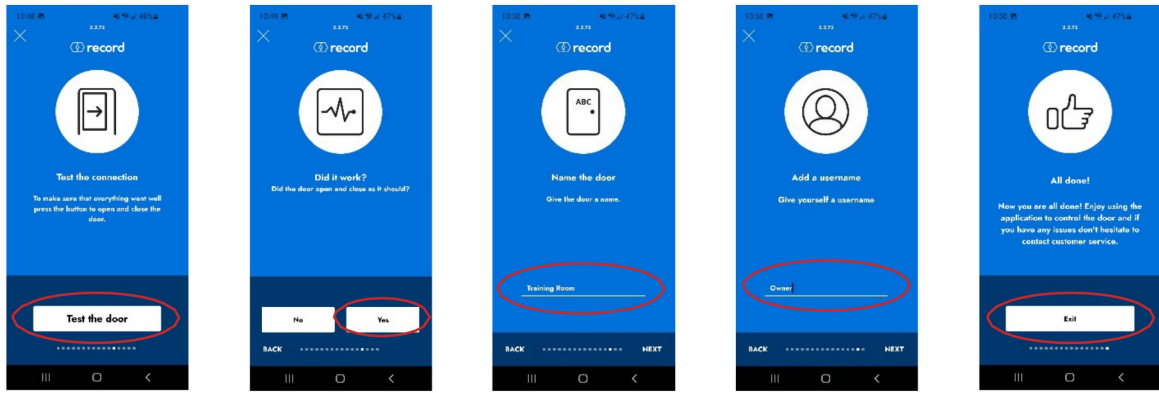


**Note!** If any of the parameters SPRING PRE-TENSION are changed after performing a learn, a new learn must be carried out.

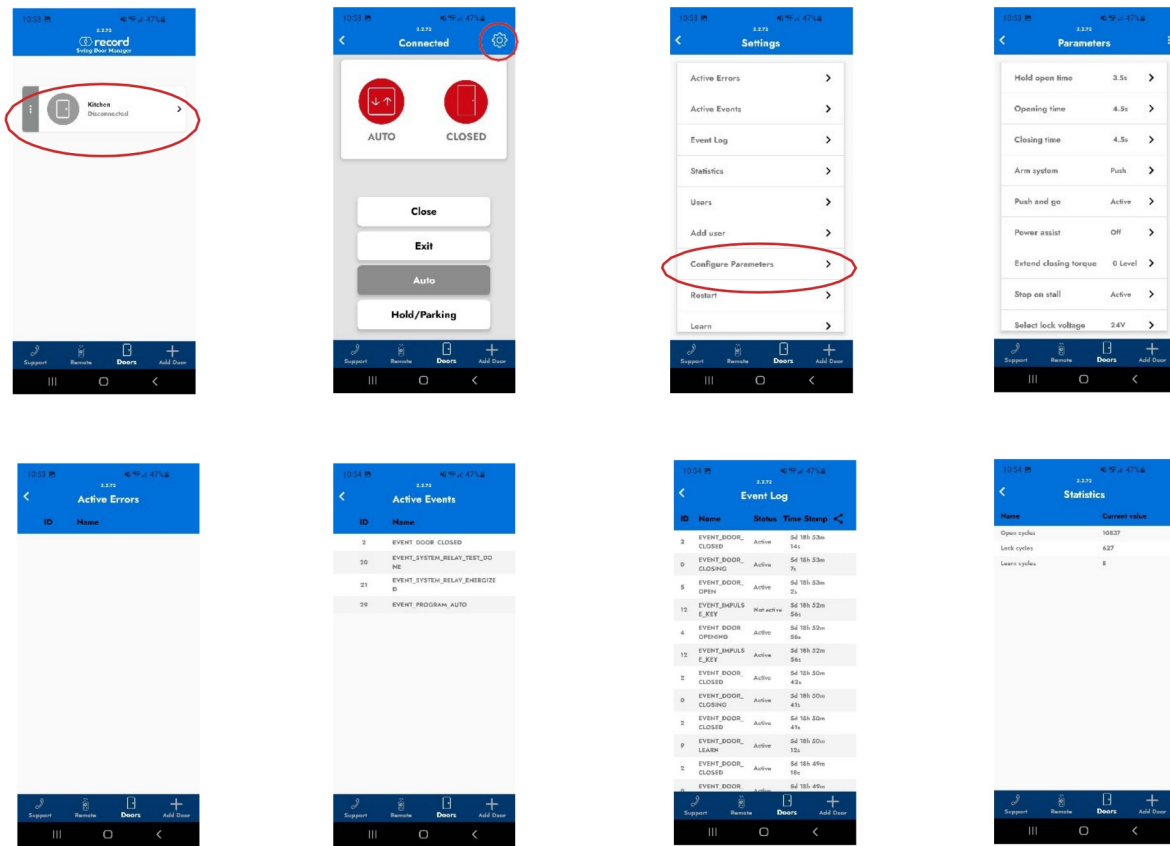


The back-check will be automatically adjusted to 10° and 1 second before open position. The latch-check will be automatically adjusted to 10° and 1.5 seconds before closed position.

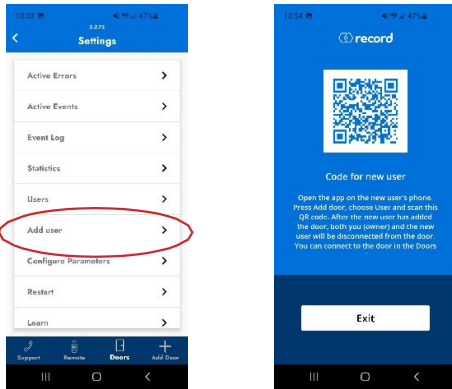
### 12.2.4 Test



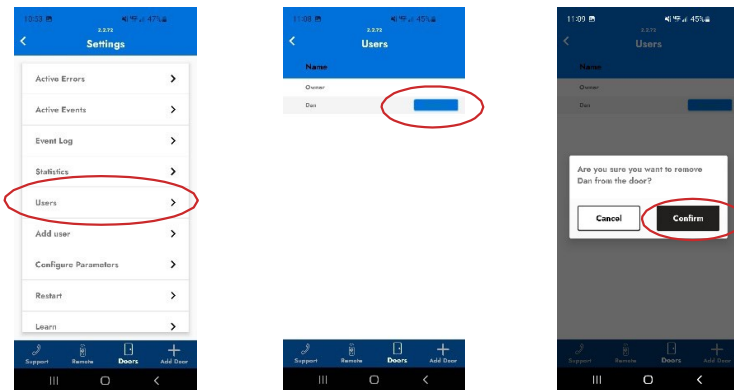
12.2.5 Settings



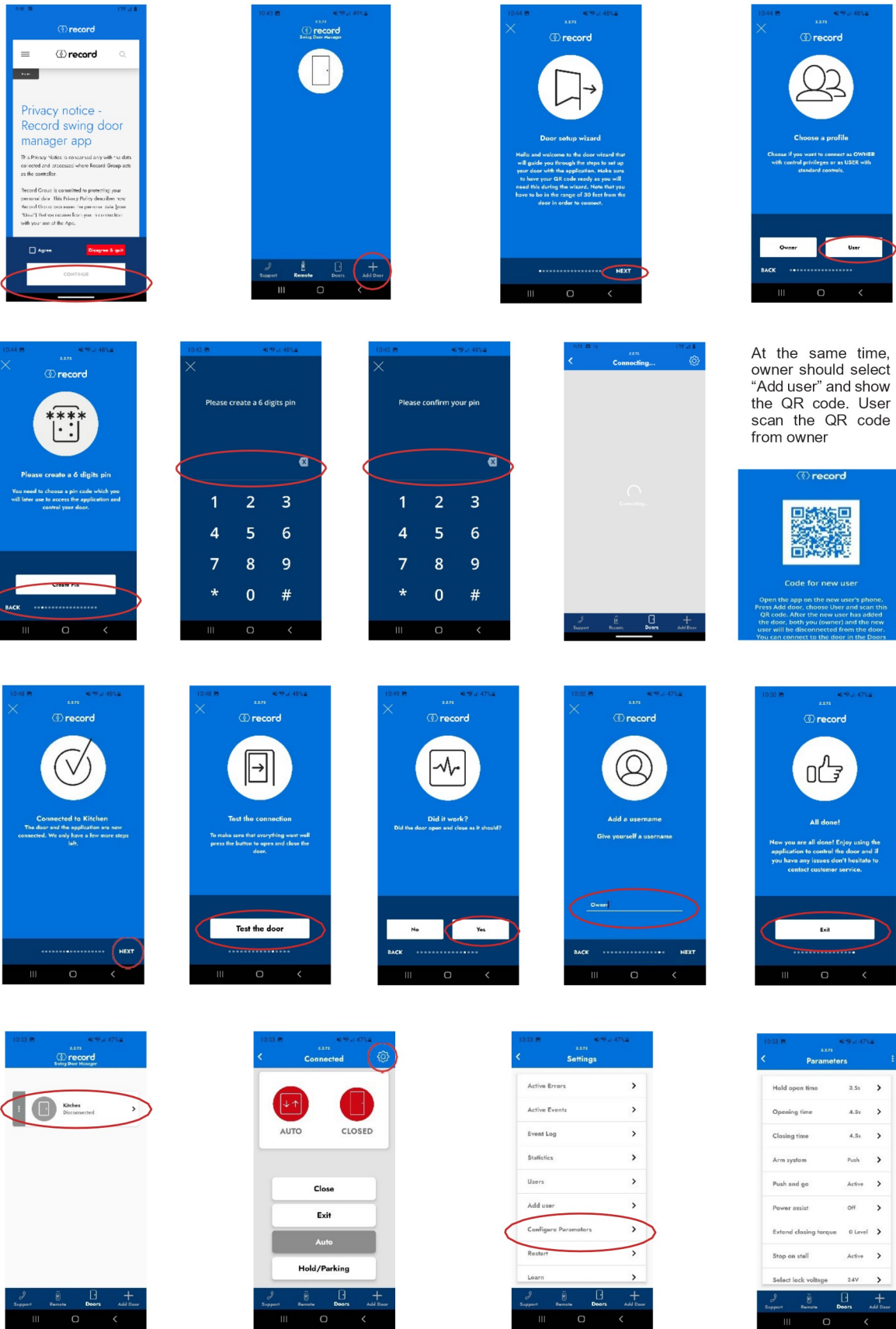
### 12.2.6 Add user



### 12.2.7 Remove user



12.2.8 Log into app with user



At the same time, owner should select "Add user" and show the QR code. User scan the QR code from owner

